

Hydroseal Pressure Monitor Plug

The Hydroseal Pressure Monitor Plug is specifically designed for quick, on location pressure checks of pressure vessels, flow lines, wellheads or anywhere pressure readings are regularly taken.

Features

316 Stainless Steel Materials

10,000 PSI Working Pressure

Bubble Tight Seal

Mesh Screen Filters Debris,
Eliminating Potential Clogs in
Expensive Delicate Gauges

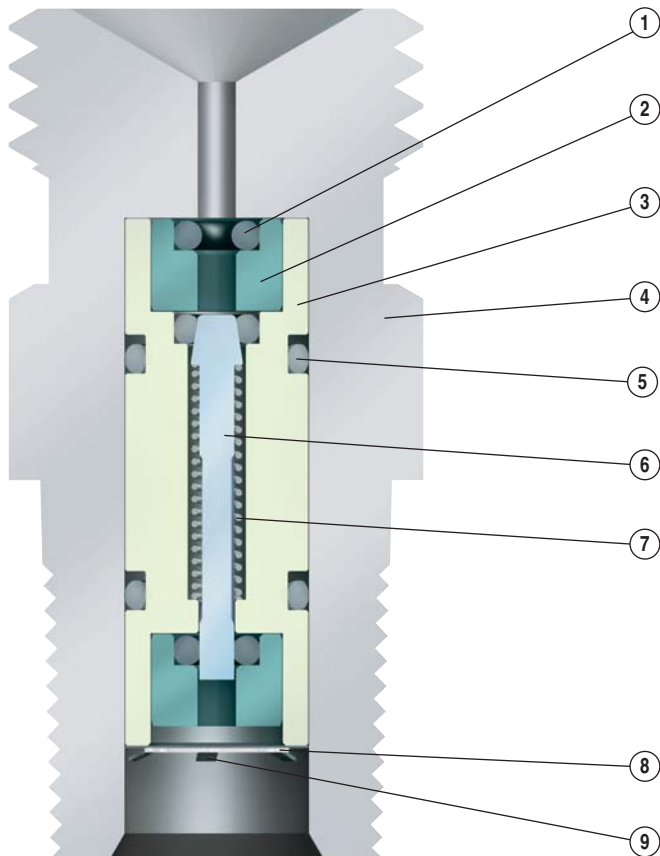
1/2" MNPT Connection



Advancing Pressure Relief
Technology For Over 50 Years

www.circorenergy.com

Hydroséal Pressure Monitor Plug



Parts List

Part No.	Qty.	Description	Material
1	3	O-Ring	Viton®
2	2	Plug Insert	316 Stainless Steel
3	1	Plug Cartridge	316 Stainless Steel
4	1	Plug Body	316 Stainless Steel
5	2	O-Ring	Viton®
6	1	Plug Stem	316 Stainless Steel
7	1	Spring	Stainless Steel
8	1	Mesh Screen	Stainless Steel
9	1	Retaining Ring	Stainless Steel
10	1	Cap (Not Shown)	Plastic

How To Order Information Plug – PL503

Benefits

- Reduces Costs By Limiting the Number of Expensive On Site Gauges
- Pressure Readings Can Be Taken in Seconds
- Sample Line Fluids in Seconds
- Troubleshoot Without the Need to Break Pressure in Lines
- Gauge Hazardous Materials Safely
- Compatible with Competitor Probe Designs

Applications

- Wellheads
- Flow Lines
- Pressure Vessels
- Water Purification Systems
- Steel Mills
- Chemical Plants
- Waterflood Injection Systems
- Reverse Osmosis Systems



A KF Industries Brand

1500 S.E. 89th Street, P.O. Box 95249
 Oklahoma City, OK 73143-5249 USA
 Tel: 405-631-1533
 Fax: 405-631-5034
 E-mail: sales@circorenergy.com
 www.circorenergy.com